

Hanish Water

TM

Hanish Water

TM

MODE: HW-520-PF-BG-SI-WC-330
DIMENSIONS: 72 H, 40 D, 168 L"
VESSELS: 60-5x20"
VESSEL VOLUMES: 90 Gallons
DRY WEIGHT: 2,000 Lbs.
SERVICE WEIGHT: 3,500 Lbs.
CONNECTIONS: 4" IN/OUT

Waukesha, Wisconsin, U.S.A.



OPERATING SPECIFICATIONS

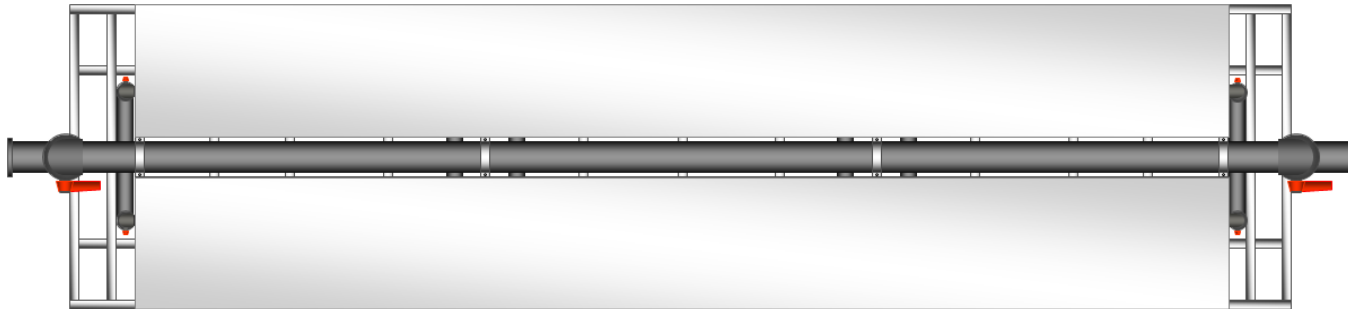
DO NOT EXCEED SPECIFICATIONS

Minimum Operating Pressure 40 psi
 Maximum Operating Pressure 100 psi
 Test Pressure 160 psi
 Maximum Operating Temperature 100 F
 Minimum Operating Temperature 40 F
 Service Flow Rate 252 gpm
 Peak Flow Rate 324 gpm
 Minimum Flow Rate 1 gpm
 Silica .25 mg/L
 Copper 1.3 mg/L
 Iron .25 mg/L
 Ph 6.8 - 8
 Chlorine Residual 1 mg/L
 Hydrogen Sulfide .25

Vessels approved for water filtration. Other applications must be approved by the manufacturer. Do not use for pneumatic or hydropneumatic applications.

COMMERCIAL INDUSTRIAL HIGH PURITY

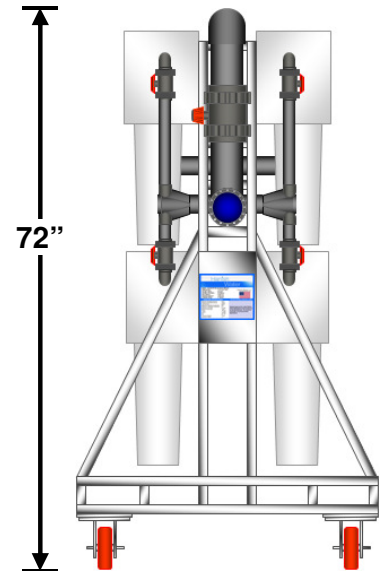
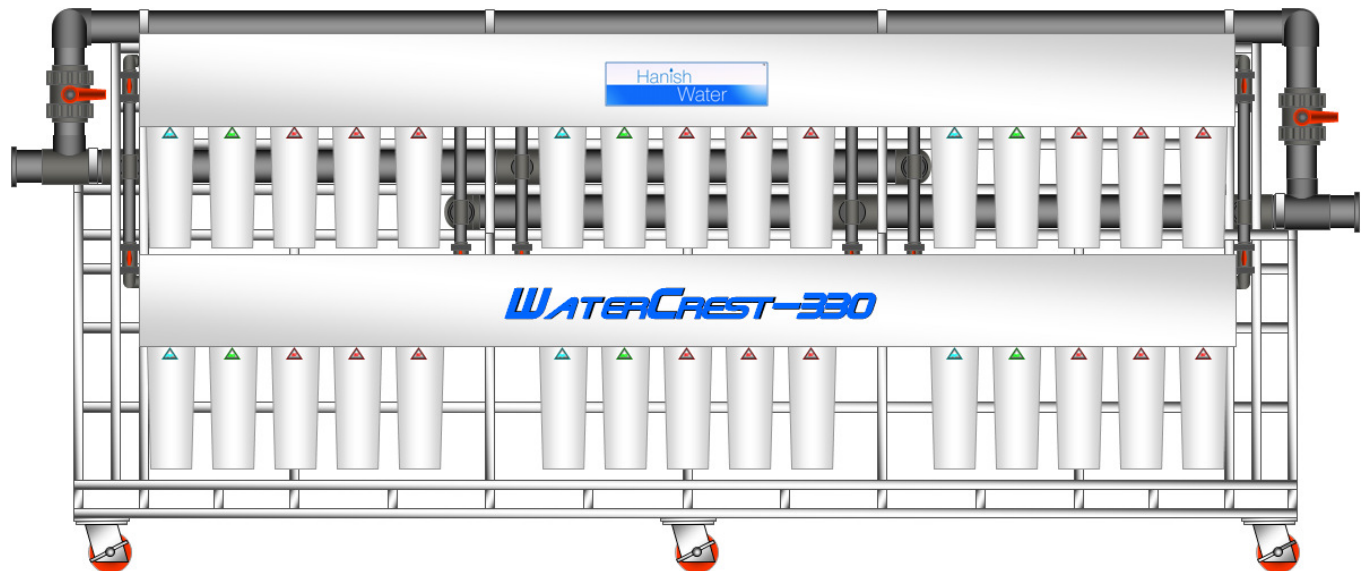
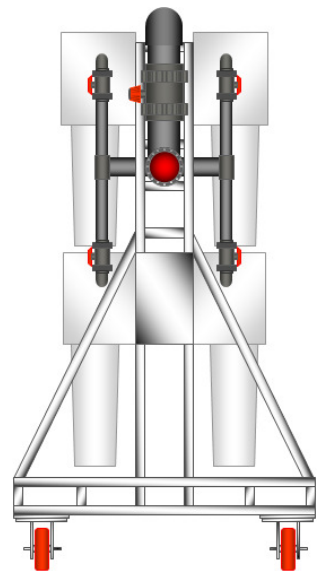
HW-520-PF-BG-SI-WC-330



40"

168"

40"



72"